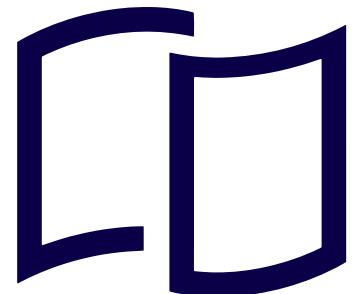


SPLASH GUARD INSTALLATION GUIDE

Layout 1, 2 & 3

This guide provides you with tips and step-by-step instructions on how to install your Glass & Mirror splash guard shower partition.

Customer support:
support@glassandmirror.ca
1-888-225-4392



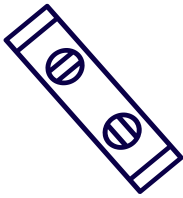
GLASS & MIRROR

BEFORE YOU BEGIN

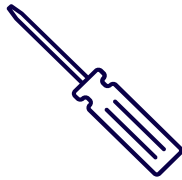
- 1 Examine all packages for shipping damage and validate your piece count with packing list for your model in this manual as a reference. If your package is damaged or parts are missing, please contact Glass & Mirror's customer support within 3 business days from delivery.
- 2 Make sure to comply with your local building codes regarding compliance with applicable building and plumbing code. Glass & Mirror is not responsible for code compliance and will not accept any returns in this regard.
- 3 Any plumbing or drainage work should be executed before installation of the unit. Use a qualified and licensed plumber where required by local code for any plumbing work.
- 4 Make sure all surfaces are sound to support the weight of the unit prior to the installation.
- 5 Protect the glass during installation and never lay the glass down directly on a ceramic tile floor. Use a piece of wood or cardboard to protect the edges and corners during the installation.
- 6 The installation of this shower unit **requires** that you drill down into the shower base or floor.
- 7 Stationary glass panel sizes are nominal dimensions that refer to the overall size of the panel once installed and not the actual glass size.
- 8 This system provides up to 1/2" of out-of-plumb adjustment. Do not exceed this tolerance.
- 9 The safety of any installation is the responsibility of the installer. Professional installation and/or supervision is recommended.
- 10 To prevent serious injury, do not lean against the installed panel glass and handle the glass panel with care.

THE TOOLS YOU'LL NEED

Below is a summary of the basic tools you'll need. In addition you'll find what tools to use for each product in the following step-by-step instructions. It is suggested to wear safety glasses when using power tools.



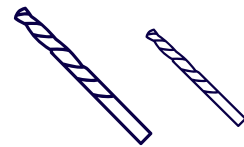
level



phillips
screwdriver



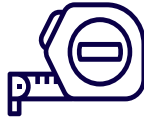
painter tape



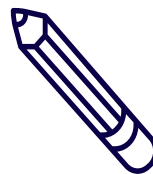
1/8" and 5/16"
drill bits



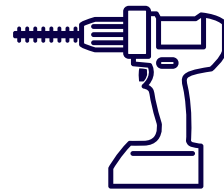
caulking gun



measuring tape



pencil

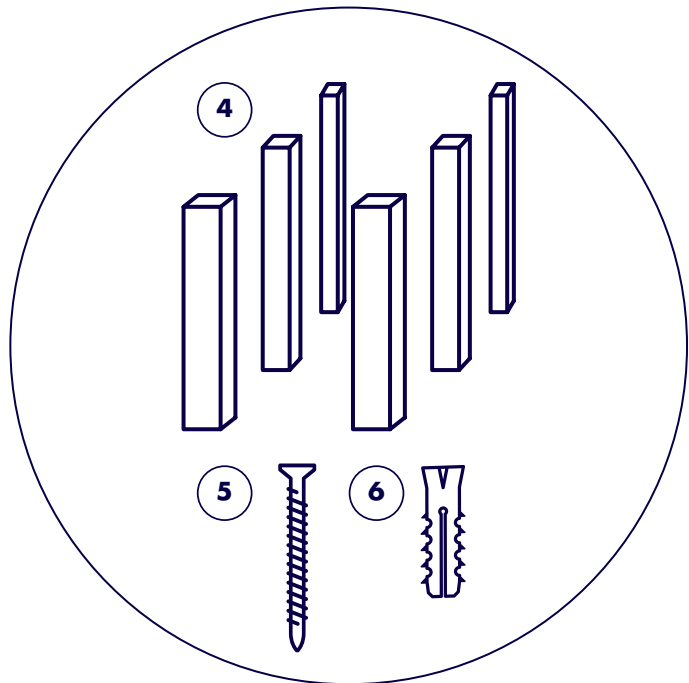
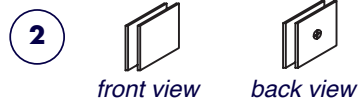
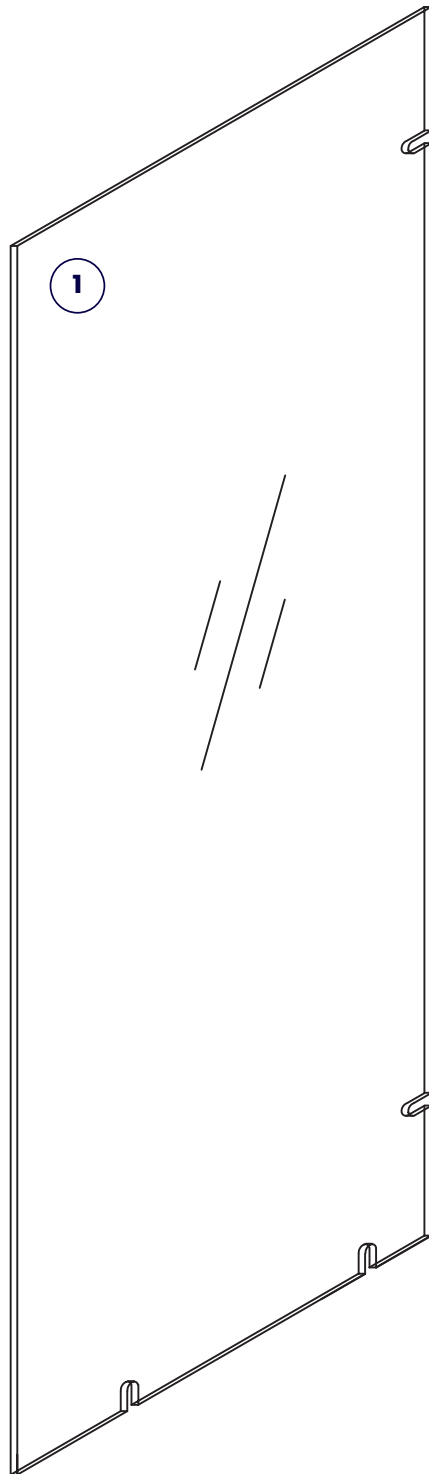


power drill

SPLASH GUARD COMPONENTS

- 1. Glass pannel
- 2. Square glass clamps
- 3. Gaskets (2 per clamp)

- 4. Setting blocks
- 5. ST4.2 x 40mm screws
- 6. Wall anchors



INSTALLATION STEPS

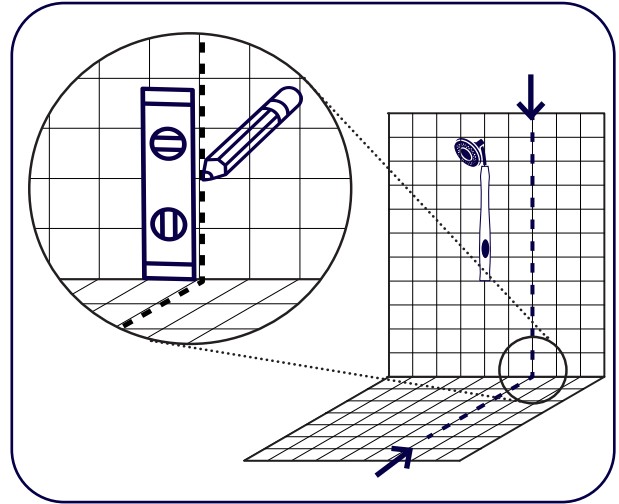
This model is fully reversible. The right wall installation is shown in the following installation steps. For left wall installation, simply reverse the orientation of your installation and begin on the opposite wall.

1 MARKING THE GLASS PANEL POSITION

Mark the ceramic tiles indicating the centerline of the glass and determine exactly where the glass will be installed.


 **Tip:** Use a level to mark the positions of the vertical centerline on the wall.

Note: The installed panel width will be the width of the glass panel plus 1/8".

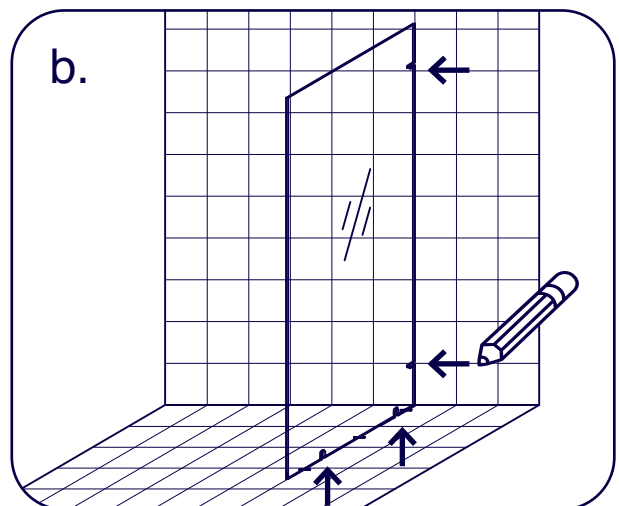
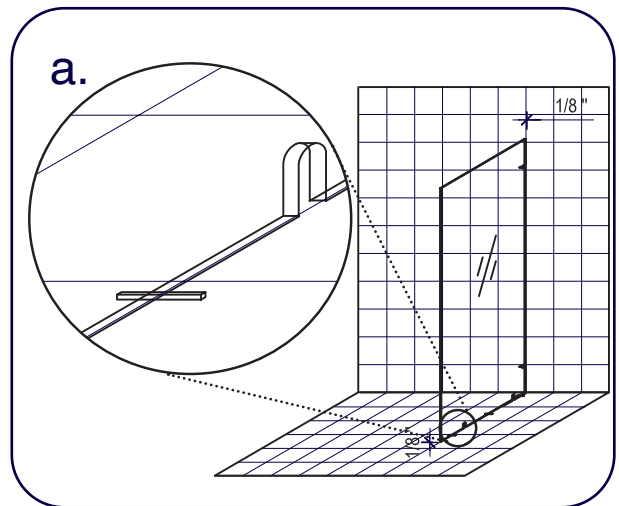


2 MARKING THE GLASS CLAMPS POSITION

a. Set the fixed glass panel onto the 1/8" setting blocks provided in the installation kit. Align the glass with the centerline marked in step 1. Ensure that a minimum 1/8" gap is maintained around the perimeter of the glass where it meets the floor and wall.

 **Tip:** Use additional setting blocks to shim the glass until you have reached the desired glass position. Mark the clamp hole positions once the glass is properly aligned.

b. Mark the surface at the centerline of the notches in the glass panel. This will indicate the position of the glass clamps.

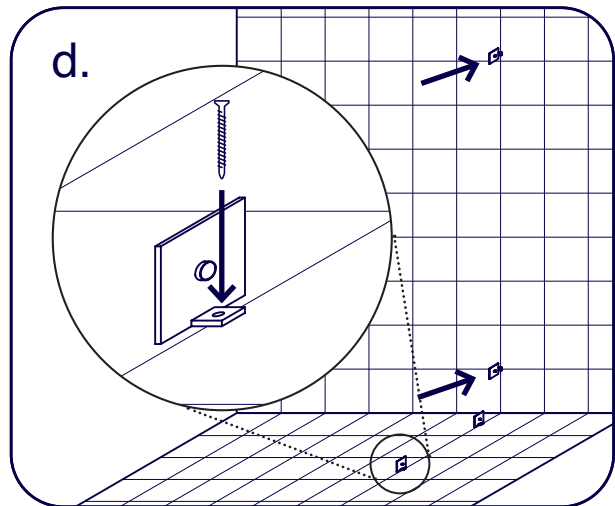
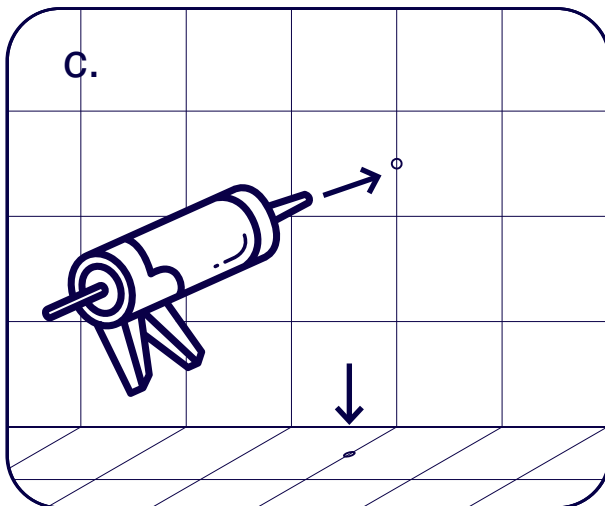
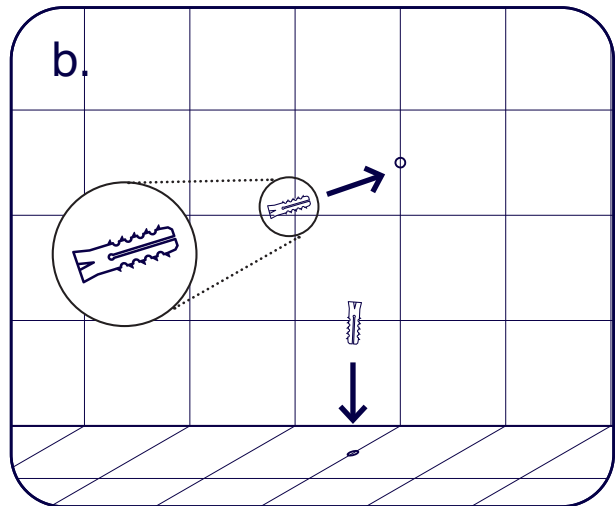
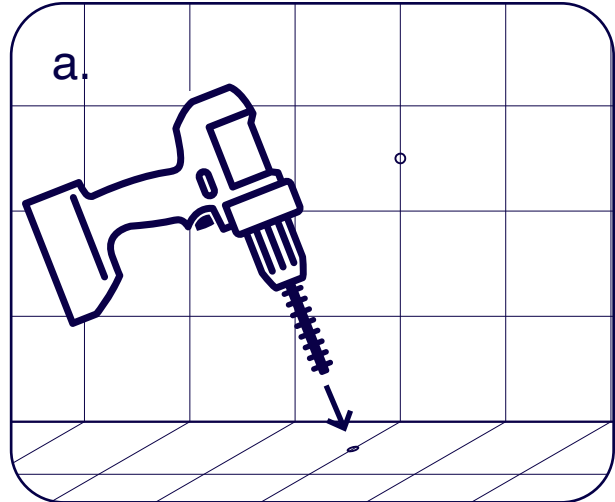


3

SECURING THE GLASS CLAMPS

- a. On the marks determined in step 2b, drill holes into the wall and floor using a 5/16" Ø drill bit.
- b. Insert the wall and floor anchors into the holes.
- c. Apply silicone into your wall and floor anchors.
- d. Secure the interior part of the clamp into the wall and floor anchors using 40mm screws.

💡 Tip: Use the clamp face with visible screws inside the shower for a sleek finished look.

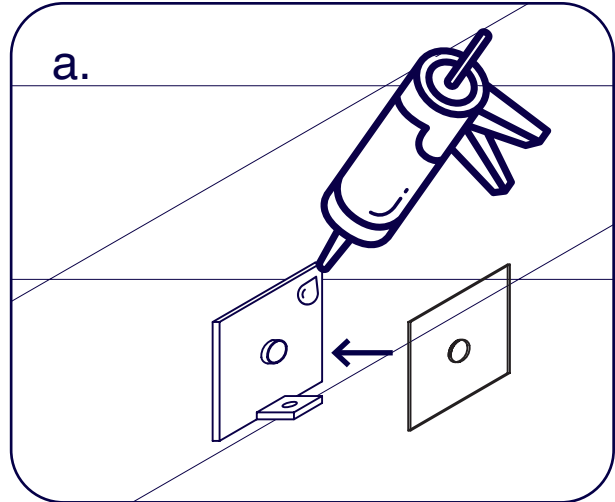


4

SECURING THE GLASS PANEL

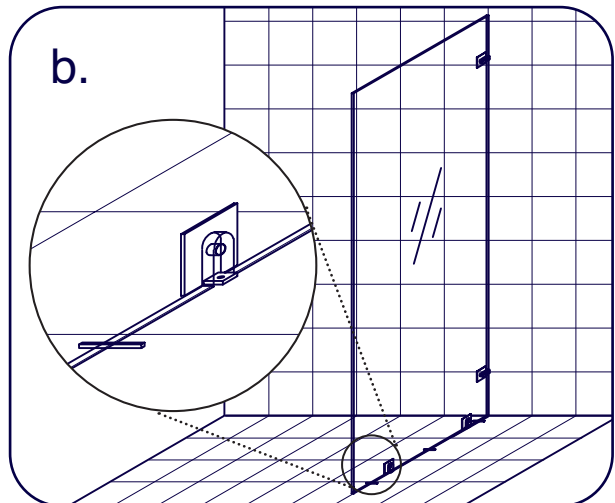
- a. Insert the provided gasket into the clamp:
- For 3/8" (10mm) glass panel:
Use one thick gasket on each side.
 - For 1/2" (12mm) glass panel:
Use one thin gasket on each side.

💡 Tip: Use small drops of silicone to stick the gaskets onto the clamp faces.



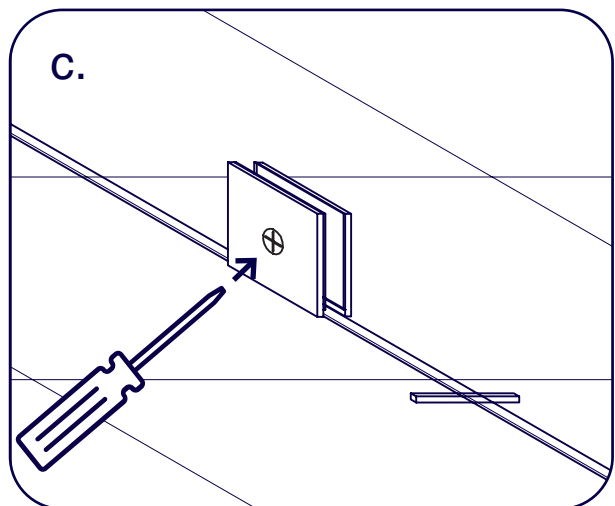
- b. Using the 1/8" setting blocks, install the glass panel and make sure it is plumb and leveled. There should be a gap about 1/8" between the panel and the floor and between the panel and the wall.

💡 Tip: If you had to adjust the glass in step 2a, use the same setting block combination when setting the glass in place.



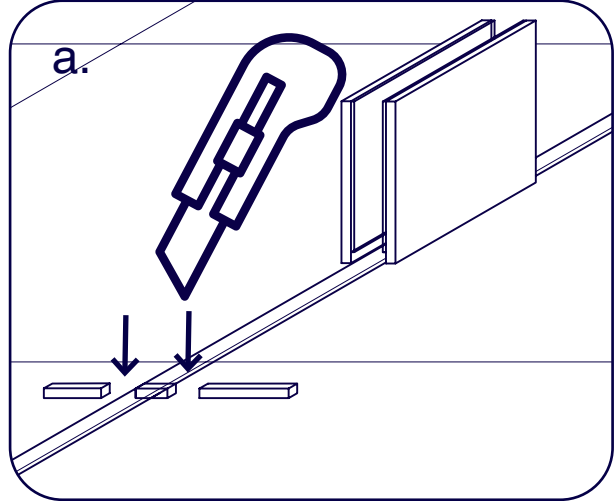
- c. Secure the outface of the clamp into the anchored face of the clamp. Perform the final glass adjustments. Verify that the clamp gaskets are properly set before tightening the clamp. Tighten the screw clamp firmly when done.

💡 Tip: The glass notch is twice the size of the clamp pin. This allows for a 3/8" in total adjustment.



5 APPLYING THE SILICONE

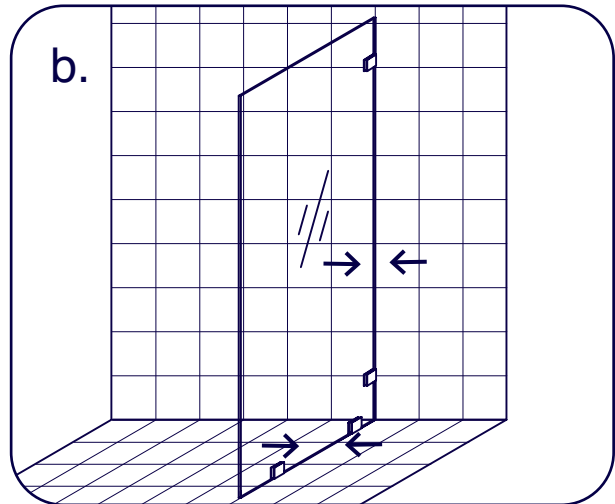
a. Turn or cut the exceeding parts of the setting blocs.



b. Apply silicone along the perimeter where the glass meets the wall and floor from inside and outside of the shower.

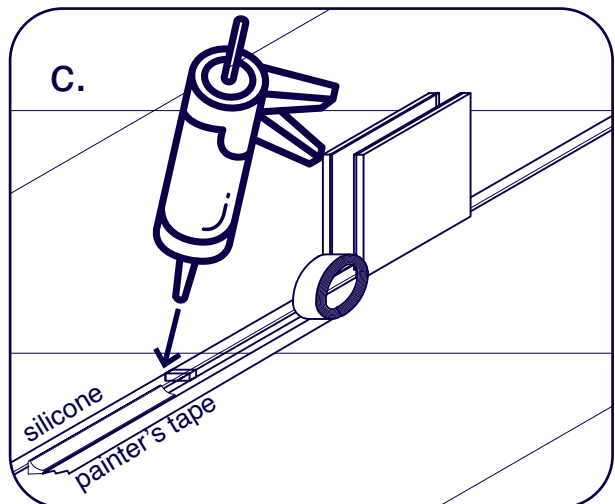
NOTE: The surfaces need to be clean and free of debris before applying silicone.

NOTE 2: For a better water seal, apply silicone around the bracket face on the inside of the shower.



c. To reach an even silicone bead width, apply painter's tape where the glass meets the tile or marble. Allow for the silicone a gap of about 1/16"-1/4". Remove painter's tape after the allocated curing time.

Let silicone cure for 24-48h before exposing to water.



PRODUCT MAINTENANCE

GLASS

To ensure long-lasting life for your glass shower products: wipe them off after each use with a soft cloth. Rinse and wipe off the glass using either a soft cloth or a squeegee to prevent soap buildup and water spots (Hard water can etch the surface of the glass over time if left to dry). To prevent scratching the surface: never use abrasive cleaners or cleaning products that contain scouring agents. Never use bristle brushes or abrasive sponges that may scratch the surface.

HARDWARE

To ensure a long-lasting finish: wipe off the metal parts after each use with a soft cloth. Do not use abrasive cleaners or cleaning products containing ammonia, bleach or acid. If accidentally used, rinse the surface as soon as possible to prevent damage to the finish (peeling or corrosion). After cleaning the polished finishes, rinse thoroughly and wipe dry with a soft cloth. Clean stainless steel surfaces at least once a week. When applying stainless steel cleaner or polish to stainless steel hardware, work with (not across) the grain. Never use an abrasive sponge or cloth, steel wool or wired brush as these may permanently scratch the surfaces.

NOTE: To maximize the life of your door, it is important to regularly inspect the glass and other hardware for misalignment, proper attachment, and/or damage. Contact Glass & Mirror with any questions or concerns.

Our shower doors and enclosures are designed not to leak when installed properly and the flow of water is not pointed directly at the wall mounted hinges or vinyl seals.